



APPLICATION

Rotating anode X-ray tube specifically designed for general radiographic, heavy duty x-ray systems. Anode angle optimised for under table use.

CHARACTERISTICS

- Bearing assembly and bearing lubricant system are designed for long life under hardest x-ray operating conditions
- Focal track in tungsten-rhenium alloy to prevent cracking
- High-thermal emittance oxide coating on anode and rotor provides high anode heat dissipation rate
- Severe tests during conditioning assure best performances
- Available also special versions for:
 - reloading in GE-CGR and SIEMENS housings (supplied with anode end adaptation piece)
 - PHILIPS equipment, to assure full filament emission compatibility

ORTM 102

ROTATING ANODE X-RAY TUBE FOR HEAVY DUTY SYSTEMS

SPECIFICATIONS

Maximum peak voltage _____ 150 kV
 Anode angle and diameter _____ 15° - 102 mm
 Maximum anode dissipation _____ 1000 W (80 000 HU/min))
 Anode heat storage capacity _____ 300 kJ (400 kHU)
 Rotating anode speed _____ 3000 - 10000 rpm

FOCAL SPOTS AND POWERS

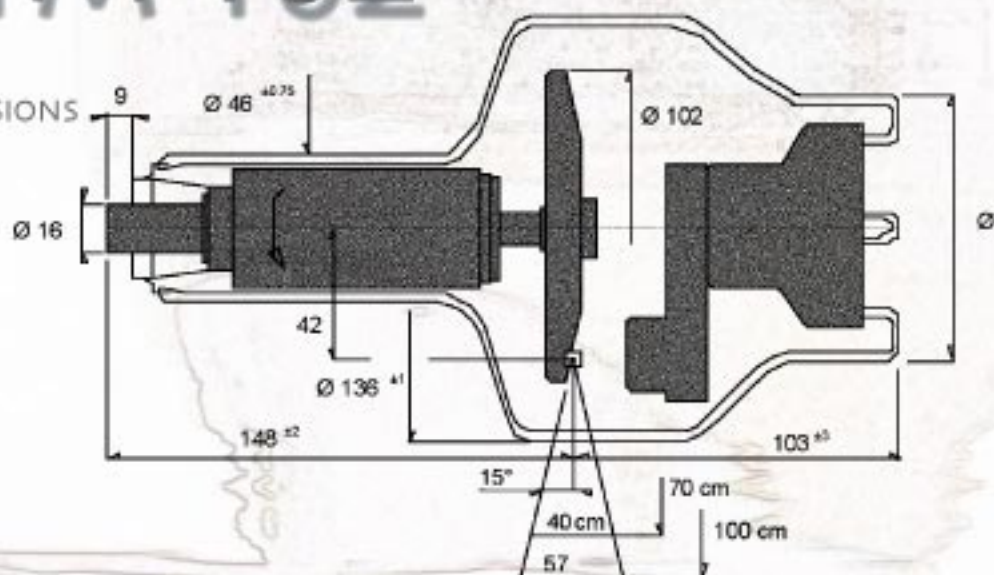
		FOCAL SPOTS	0.6 mm	1.0 mm	1.2 mm	1.5 mm	2.0 mm
NOMINAL INPUT POWERS	low speed		16 kW	34 kW	42 kW	54 kW	64 kW
	high speed		29 kW	55 kW	75 kW	97 kW	125 kW

Focal spots combinations: 0.6/1.2 - 0.6/1.5 - 1.0/2.0



RTM 102

DIMENSIONS



IAE HOUSINGS

	high voltage	heat storage capacity	maximum cooling rate		net weight
			natural convection	ventilation	
C100	150 kV	1500 kJ 2000kHU	250 W	600 W	25 KG
C52 SUPER	150 kV	1280 kJ 1700kHU	230 W	370 W	21 KG



C52 SUPER



C100

RELOADING

CGR STATORIX 550 IAE CODE: CG100

COMET D010 IAE CODE: CC100



ORDERING GUIDELINES

TUBE TYPES

3000 rpm: RTM102H 0.6/1.2 • RTM102H 0.6/1.5 • RTM102H 1.0/2.0

3000-10000 rpm: RTM102HS 0.6/1.2 • RTM102HS 0.6/1.5 • RTM102HS 1.0/2.0

To assure that you receive the proper tube, please check the following information at the time of order:

- focal spots combination
- need for special version for reloading in GE-CGR, SIEMENS and PHILIPS housings
- (in case of complete unit order) horn angle of the tube housing high voltage receptacles and necessity of fan or heat exchanger
- any interface kit that may be required

Please note that standard focal spots combinations are 0.6/1.2 - 0.6/1.3 - 0.6/1.5

Should you still have questions about the compatibility of a replacement tube unit call our customer service:

+39 02 66303255

iae.it www.iae.it

iaexray@iae.it

fax +39 02 6152544

tel +39 02 66303255

20032 CORMANO MI

tel +39 02 66303255

IAE SPA ITALY

iae.france@wanadoo.fr

fax +33 16 4949956

tel +33 16 4948044

ETAMPES

91150 St. Michel

IAE FRANCE SAS