



#### APPLICATION

Rotating anode X-ray tube specifically designed for surgical C-arms. It is intended as a replacement for Varian® A-145 insert.

#### CHARACTERISTICS

- TzM target with large thermal capacity for 3" diameter
- Focal track in tungsten-rhenium alloy to prevent cracking
- High-thermal emittance oxide coating on anode and rotor provides high anode heat dissipation rate
- Severe tests during conditioning assure best performances

# ORTM 780

## ROTATING ANODE X-RAY TUBE FOR SURGICAL C-ARMS

#### SPECIFICATIONS

Maximum peak voltage	150 kV
Anode angle and diameter	15° - 73 mm
Maximum anode dissipation	750 W (60 000 HU/min)
Anode heat storage capacity	225 kJ (300 kHU)
Rotating anode speed	3000 rpm

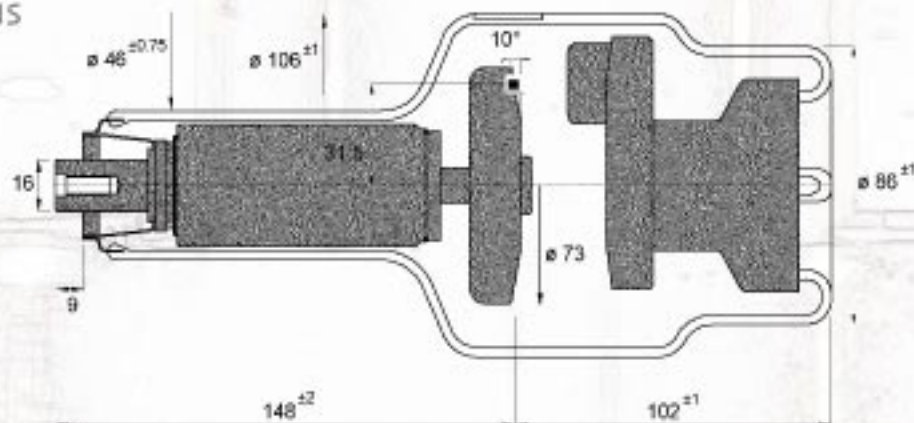
#### FOCAL SPOTS AND POWERS

FOCAL SPOTS	0.3 mm	0.6mm
NOMINAL INPUT POWERS	6 kW	25 kW

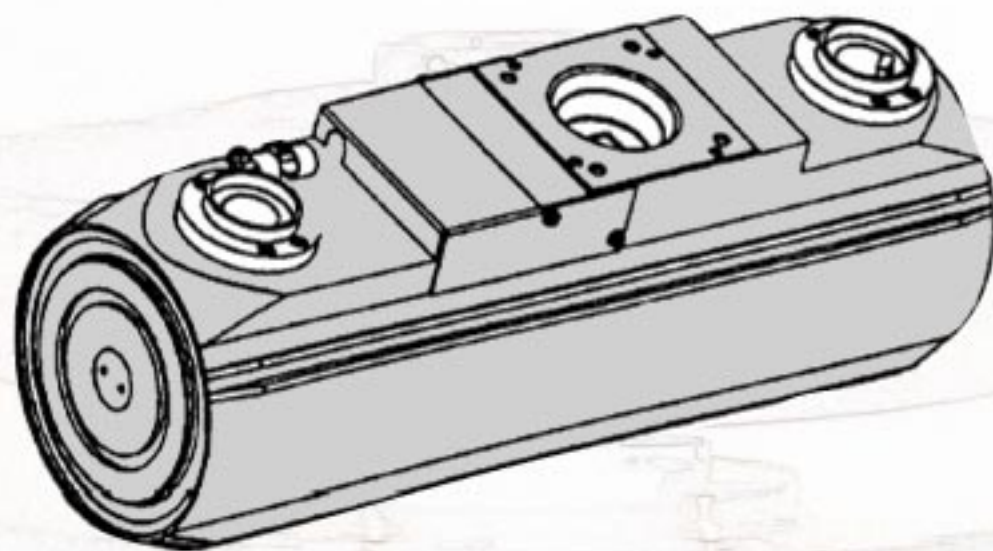


# RTM 780

## DIMENSIONS



## RELOADING



VARIAN B145A  
IAE CODE:

Should you still have questions about the compatibility of a replacement tube unit call our customer service:  
+39 02 66303255

IAE SPA ITALY via Fabio Filzi, 53 20032 CORMANO MI tel +39 02 66303255 fax +39 02 6152544 iaexray@iae.it www.iae.it  
IAE FRANCE sas 90, Blvd St. Michel 91150 ETAMPES tel +33 16 4948044 fax +33 16 4949956 iaefrance@wanadoo.fr